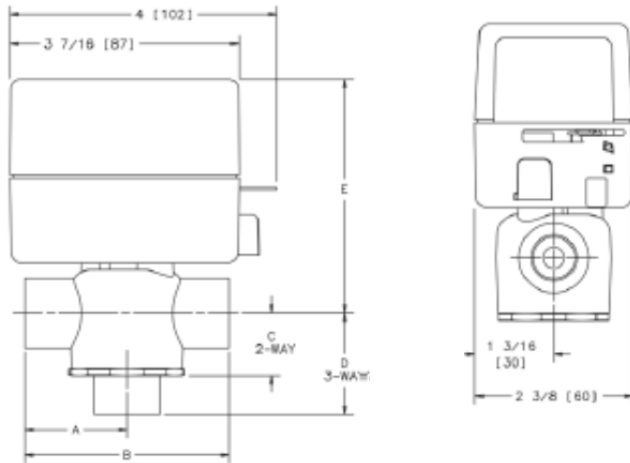


2AQ-3.0-0.5-24-LF

E50131180

24V Normally Closed Actuator, Spring Return.

Motor: 24VAC 50/60 HZ Class 2
Wire Lead Length: 6"
Power Requirement: 6.5W, 7VA
Ambient Temp. Range: 32 F – 105 F
Approvals: UL Recognized or Listed



E421213-LF

½" Sweat 2-way 2 Position 3.5 CV Valve Body

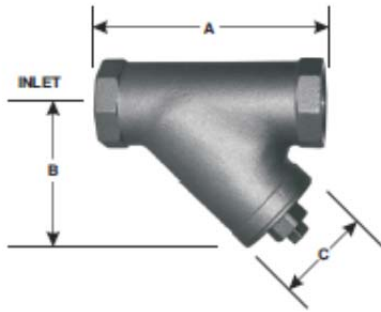
Material:

Body: Forged Brass (0.1954% - 0.1987% weighted lead content or less)
Seat: Machined Brass (0.1954% - 0.1987% weighted lead content or less)
Stem: Stainless Steel
O-Ring Seals (2 ea.) EPDM
Paddle: EPDM
Temperature Range: 32 F – 240 F
Max Close-Off Pressure: 30 PSI

CP603-LF

½" Sweat Y-Strainer with Plug

Body: Low Lead Brass (less than 0.25% lead content)
Retainer Cap: Low Lead Brass (less than 0.25% lead content)
Cap Gasket: NBR
Screen: 304 Stainless Steel (20 Mesh)

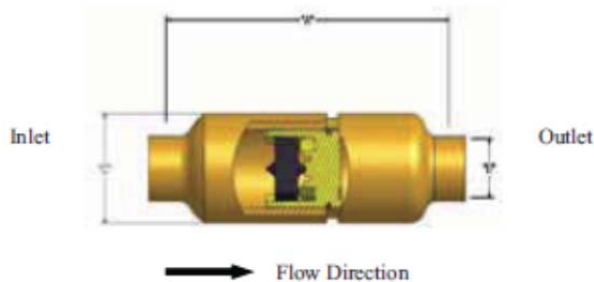


A (length): 2 ¾"
B (height from center of inlet to bottom of Y): 1 ¼"
C (plug size): ¼"

0.5FC-3.0S-LF

½" sweat auto flow controller set at 3.0 GPM (low lead)

Valve Body: Copper
O-Rings: EPDM
Retainer: Stainless Steel
Diaphragm: EPDM
Orifice: Polyphenylsulfone
Accuracy: +/- 10%
Operating Temperature: 32 F – 225 F



Total Length: 4"
Body Height: 1.4"
Connection Size: ½" FSWT

CP9-LF (2 ea.)

½" sweat low lead manual isolation ball valve

Gland Nut:	Brass C37700
Lock Washer:	Steel
Hex Nut:	Steel
Handle:	Steel
Stem:	Brass C37700
Stem Packing:	Teflon
End Cap:	Brass C37700
Seat:	Teflon
Ball:	Chrome Plated Brass C37700
Body:	Brass C37700

This product complies with 0.25% weighted average lead content on wetted surfaces in accordance with CA AB1953.



Body Length:	2 ¼"
Height (including stem):	2 ¼"